



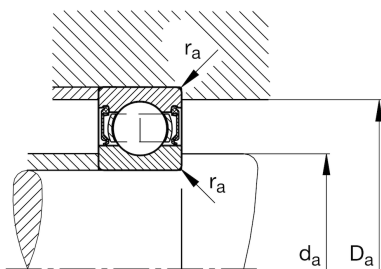
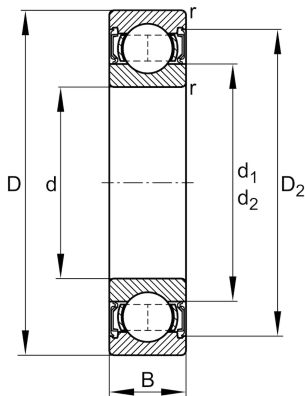
FAG

6018-2RSR

Deep groove ball bearing

Schaeffler ID:
0167182750000Deep groove ball bearing 60...-2RSR,
single row, seals, steel sheet metal cage

Technical information

**Main Dimensions & Performance Data**

d	90 mm	Bore diameter
D	140 mm	Outside diameter
B	24 mm	Width
C_r	62.000 N	Basic dynamic load rating, radial
C_{0r}	49.500 N	Basic static load rating, radial
C_{ur}	3.000 N	Fatigue load limit, radial
n_G	2.500 1/min	Limiting speed
	1,21 kg	Weight

Dimensions

r_{min}	1,5 mm	Minimum chamfer dimension
D_2	126,8 mm	Caliber diameter outer ring
d_1	106,2 mm	Shoulder diameter inner ring

Mounting dimensions

d_{amin}	97 mm	Minimum diameter shaft shoulder
D_{amax}	133 mm	Maximum diameter of housing shoulder
r_{amax}	1,5 mm	Maximum fillet radius

Calculation factors

f_0	15,5	Calculation factor
-------	------	--------------------

Temperature range

T_{min}	-20 °C	Operating temperature min.
T_{max}	100 °C	Operating temperature max.